

User manual

for

Falck 1003

Voice Amplifier



Charge 4 hours before first time use.
May be used during charging.

Version 301006



| INDEX | Page |
|---|-------------|
| Important to know before use..... | 2 |
| For whom the amplifier is designed..... | 3 |
| Description of what the amplifier consists of | 3 |
| Accessories | 3 |
| Getting started..... | 4 |
| Batteries and charging | 4 |
| Drawing of the Voice Amplifier | 5 |
| Technical data | 6 |
| Cleaning and disposal | 7 |
| Safety | 7 |

Important to know before use

- If the volume is turned up too high the loudspeaker will produce a loud noise (feedback). Keep the loudspeaker away from you when you turn on the amplifier.
- The microphone should be placed at the corner of the mouth
- The distance between the sound source (the mouth) and the microphone should be as constant as possible to receive a consistent sound. The flexible swan-neck can be bent to get the right location of the microphone.
- Every microphone that is held in front of the mouth will capture the sound of the breath. The best solution to capture a weak, but clear voice is to choose a very sensitive microphone that is placed right beside the mouth.

For whom the Falck 1003 Voice Amplifier is designed

Physiological voice difficulties may be caused by congenital anomalies, tissue deterioration or damages in the vocal muscles.

Functional voice difficulties can be caused by improper use of the voice. This may cause physiological changes or impairment of inner throat muscles. The result is exaggerated use of muscles in the throat. Discomfort, pain or tiredness may result from use of voice. There are no sharp distinctions between organic and functional voice difficulties.

Use of Voice Amplifiers by children with speech impairment

We have good experience with children using the Voice Amplifier.

Reinforced auditory response can lead to good results such as:

- Using one's own voice gives self-confidence
- Increase the understanding of one's own articulation
- Interpreting one's own voice gives identity to a child.
- It is fun to listen to one's own and other people's voices
- Listening to one's own trials gives motivation and results.
- Auditory reinforcements for people with hearing problems
- Get attention when one's own voice is weak and low.

Description of what the amplifier consists of

The amplifier is delivered from Falck with the following equipment:

- Voice Amplifier
- Microphone headset
- Battery-charger
- Neck string and belt clip
- User guide

Accessories for Falck 1003 Voice Amplifier

- Discrete headset microphone, beige
- Hand held microphone
- Mosquito microphone
- External loudspeaker
Connects to the Voice Amplifier. Gives louder sound.
- Earphones
To be used by the communication partner. Gives excellent sound. Can also be used by the user of the amplifier himself in order to get a reinforced auditory response.

Getting started

- 1) Put on the headset in a way that the ring goes behind the neck and over the ears (see picture below).
- 2) The Velcro will tighten the headset against the ears in order to keep it steady. It is easy to remove if it feels more comfortable without.
- 3) Adjust the microphone to place it as close to the corner of the mouth as possible without getting so close that it catches air and makes “popping” sounds.
- 4) It is recommended to leave the wind cap on the microphone, both for preventing “popping” sounds and to protect the microphone from moisture.
- 5) Plug in the microphone on the bottom input of the amplifier.
- 6) Make sure that the loudspeaker is pointing away from you and others. Turn on the amplifier. A light on the back of the amplifier will be lit. A green light indicates that the battery has sufficient power. A red light indicates less than 20% power left on the battery. It might still operate for a long time but it is advisable to charge when convenient.
- 7) Adjust the volume. Be aware that adjusting the volume up too high will result in a loud squealing sound (feedback).
- 8) You might want to put the amplifier around your neck.
- 9) Turn the amplifier off when not in use. It will remember the last volume setting.



Belt clip or string

The Voice Amplifier is equipped with a string that enables you to wear it around the neck. The string has a safety lock that will loosen in case the string is hooked up to something. The Voice Amplifier does also come with a belt clip. If you want to use this instead you can remove the string by loosening the screws and mount the belt clip as shown.



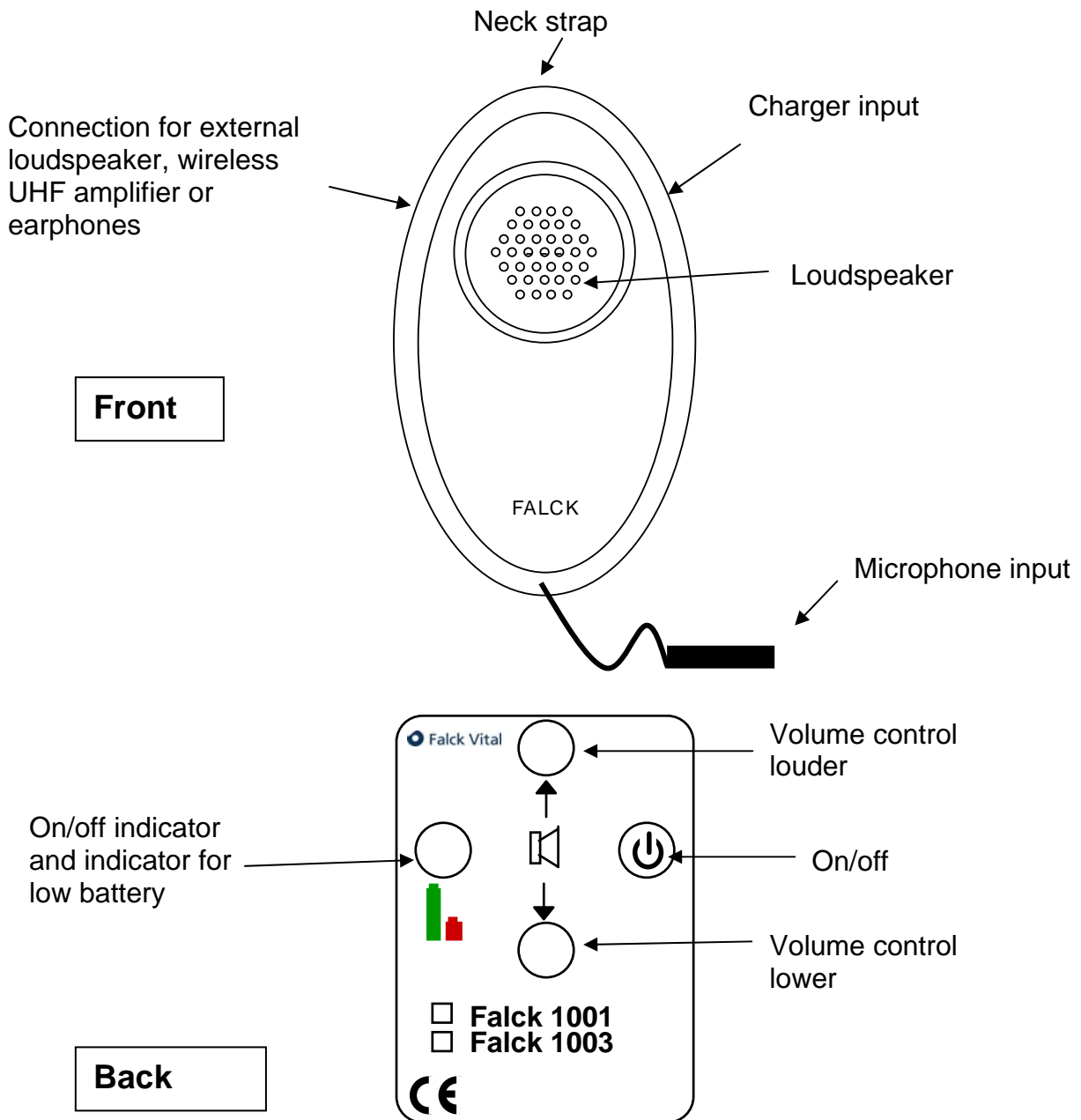
Batteries and charging

Falck 1003 Voice Amplifier has 2 Lithium-Ion batteries. They have less weight and more capacity than ordinary batteries. They have no "memory effect" which means that you can charge them whenever you want. You may also use the amplifier while charging.

Only use the charger supplied with the amplifier

The light on the back of the amplifier will normally light green when on. If the light is red, there is less than 20% left of the battery capacity. You will need to charge soon.

Drawing of the Voice Amplifier



Technical description

Microphone HMB100S

| | |
|---------------------|-------------------------|
| Direction: | unidirectional cardiode |
| Sensitivity: | -47dB ± 3dB |
| Range of frequency: | 50Hz-18 KHz |
| Impedance: | 650 ohms |
| Material: | Rubber and metal |
| Wire: | Ø2,0mm x 1,2m |
| Plug: | Ø3,5mm mono jack |

Falck 1003 Voice Amplifier

| | |
|---|----------------------|
| Effect PMPO (Peak music Power Output) | 8W |
| Amplification by 20mV input: | 59dB |
| All measurements taken at 1kHz signal | |
| Volume control: | 32 steps logarithmic |
| Typical power consumption: | 40mA |
| Charger: | 12VDC 2.5W |
| Weight: | 150 g. |
| Typical operational time with full battery: | 12 hours |

Battery

| | |
|--|--------------|
| Lithium-ion batteries | 2 |
| Capacity | 600mAh |
| Charging time: | 4 hours |
| Number of charging cycles | 1500 |
| Temp. range: | 20°C - +60°C |
| Do not expose the batteries to temperatures above +60°C. | |
| Do not open or short circuit | |

Output for external loudspeaker

Stereo jack signal on the centre connector. Ground on the inner connector.

Cleaning and disposal

The voice amplifier should be cleaned with a moist cloth. It must not be dipped in any liquid. If another person permanently uses the amplifier, the microphone and headset should be replaced for hygienic reasons. If the amplifier is discarded or battery replaced it should be disposed in a safe way or returned to your supplier.

Safety

Do not have the loudspeaker close to your ear when turning on. If the volume is set high, or feedback occurs, it might harm your hearing.

Falck Igel AS has made a complete risk analysis for the product according to NS-EN 1441 for Medical products. The product, the user manual and the technical specifications are made as a result of this document.

It is important to always have safety in mind.

In the manual it is not possible to describe all the ways that the product should not be used. If you are in doubt if the product is used correctly we recommend that you contact your supplier. Falck Igel AS is not responsible for any damage or loss as a result of use, wrong use, lack of support, incorrect setting or similar. Falck Igel AS' economical responsibility is limited to the value of the product.

It is not permitted to copy this manual either fully or in part without the written consent of Falck Igel AS.

If you have any problems with this item, call +47 37 14 94 50.

Falck Igel AS

Risør

Buvikveien 22
NO-4950 Risør
P.b. 123, 4952 Risør
Tel. +47 37 14 94 50
Fax: +47 37 14 94 70

Oslo

Tevlingveien 15
NO-1081 Oslo
Tel. +47 23 28 94 00
Fax: +47 23 28 94 01

post@falckigel.no
www.falckigel.no
